



International Vedic Maths Olympiad 2024
Lower Primary
Time allowed - 1 Hour

This Olympiad consists of 40 multiple choice questions.

2 marks are awarded for correct answers for questions 1 - 25

3 marks are awarded for correct answers for questions 26 - 35 and -1 mark for each incorrect answer.

4 marks are awarded for correct answers for questions 36 - 40 and -2 marks for each incorrect answer.

Do not guess the answers. If you do not know how to answer a question, skip it and come back later if there is time.

Answers, A, B, C, D or E, must be written on the answer sheet provided.

Rules

Rough workings can be done on plain paper.

Electronic devices such as computers, calculators, smart watches and mobile phones are not allowed.

Measuring or drawing instruments are not allowed.

Questions 1 - 25: Score 2 marks for each correct answer.

1. $125 + 225 + 325 + 425$

- A 900 B 1000 C 1025 D 1100 E 1200**

2. $47778 \div 2$

- A 23474 B 23889 C 23679 D 23456 E 23444**

3. $700 - 234$

- A 566 B 466 C 476 D 576 E 346**

4. 1298×4

- A 4882 B 4972 C 5192 D 5282 E 5362**

5. 3214×11

- A 35324 B 34354 C 34634 D 36344 E 35354**

6. 448×25

- A 11200 B 22400 C 12200 D 2240 E 12500**

7. $142856 \div 7$

- A 248 B 2048 C 2408 D 20408 E 204080**

8. $110211 \div 9$

- A 12246/3 B 12134/5 C 11134/5 D 12023/4 E 12245/6**

9. 63×67

- A 4931 B 4221 C 4231 D 3871 E 3621**

10. 38×73

- A 2784 B 2684 C 2574 D 2774 E 2874

11. 93×94

- A 8742 B 9102 C 9832 D 8642 E 9372

12. $2 \times 2 \times 2 \times 2 \times 2 \times 2 \times 2 \times 2$

- A 128 B 144 C 232 D 256 E 512

13. 65^2

- A 3625 B 4225 C 4825 D 3025 E 4425

14. Which of the following is exactly divisible by 3?

- A 5671 B 5672 C 5673 D 5674 E 5675

15. The digital root of 537 is 6 because $5 + 3 + 7 = 15$ and $1 + 5 = 6$.
What is the digital root of 8734?

- A 1 B 2 C 3 D 4 E 5

16. What is the next number in this sequence?

100, 99, 96, 91,

- A 85 B 84 C 83 D 82 E 81

17. 114×112

- A 12768 B 126168 C 12668 D 12868 E 12968

18. In a shop I spend \$298, \$497 and \$599. How much do I spend altogether?

- A \$1384 B \$1506 C \$1278 D \$1484 E \$1394

19. $\frac{5}{12} + \frac{2}{5}$

A $\frac{7}{17}$

B $\frac{10}{60}$

C $\frac{24}{30}$

D $\frac{49}{60}$

E $\frac{37}{60}$

20. What is the last digit in the answer to 13948×18063 ?

A 2

B 4

C 6

D 8

E 0

21. Which of the following is 19 more than a square number?

A 54

B 67

C 83

D 101

E 130

22. $101 - 99 + 102 - 98 + 103 - 97 + 104 - 96$

A 16

B 18

C 20

D 22

E 24

23. Rigveda and Yajurveda are two ancient scriptures. If the Rigveda was written 3850 years ago and the Yajurveda was written 2925 years ago, how much older is the Rigveda than the Yajurveda?

A 875 yrs

B 925 yrs

C 975 yrs

D 1025 yrs

E 1075 yrs

24. Dan sits a 2 hour exam. After 57 minutes, how many minutes does he have left until the end?

A 33

B 43

C 53

D 63

E 73

25. Mary can read one page of her story book in 4 minutes. How long does it take her to read 122 pages?

A 244 min

B 360 min

C 488 min

D 624 min

E 996 min

Questions 26 - 35: Score 3 marks for each correct answer. -1 mark for each incorrect answer.

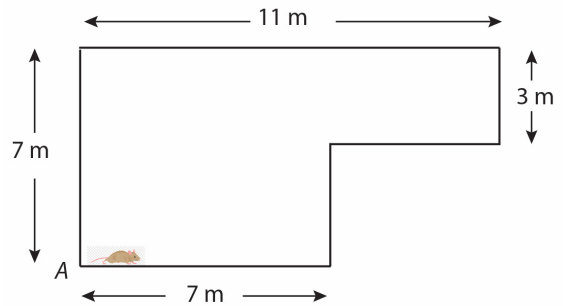
26. Kamala goes swimming at her local pool. The length of the pool is 25 metres. She swims 4 km. How many lengths does she swim? (1 km = 1000 metres)

A 160 B 80 C 120 D 200 E 240

27. The figure shows the plan of a room. A mouse starts at point A and runs along the edge until getting back to point A.

How far does the mouse run?

A 28 m B 31 m C 32 m
D 34 m E 36 m



28. My dog eats 35 grams of food for each meal and he has two meals a day. How many grams of dog food does she eat in a month of 30 days?

A 2100 g B 2800 g C 3100 g D 3400 g E 3800 g

29. Here are the first three patterns in a sequence.

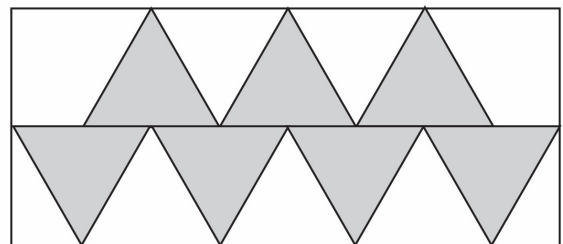


Which of the following is the fourth pattern in the sequence?

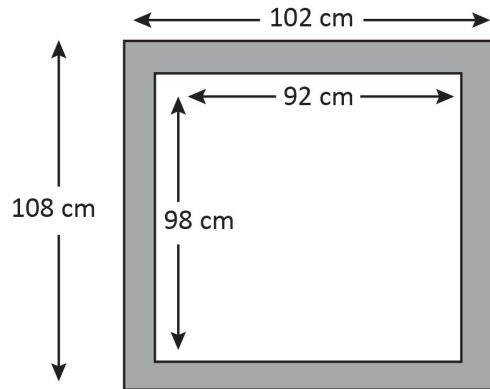


30. What fraction of the rectangle is shaded?

A $\frac{7}{15}$ B $\frac{7}{16}$ C $\frac{7}{17}$
D $\frac{7}{18}$ E $\frac{7}{19}$



31. A cardboard picture frame is made by cutting a rectangle out of a large rectangle. The large rectangle measures 102 cm by 108 cm. The cut out rectangle measures 98 cm by 92 cm. What is the area of the remaining frame?



- A 2000 cm² B 2200 cm² C 2400 cm²
 D 2600 cm² E 2800 cm²

32. Which Vedic Maths sutra is most suitable for the calculations in the previous question?

- A Vertically and crosswise
 B By one more than the one before
 C All from 9 and the last from 10
 D Transpose and adjust
 E By one less than the one before

33. $31 \times 96 \times 99 \div 93$

- A 4624 B 8324 C 9626 D 3242 E 3168

34. Sweekriti has \$360. She spends half on a bicycle. She spends one third of the remainder on cycling outfit. She then spends one quarter of the remainder on a backpack. How much does she have left?

- A \$20 B \$30 C \$60 D \$90 E \$120

35. A Japanese Bullet train has 16 cars. The front car and back car are each 27 metres long. All other cars are 25 metres long.

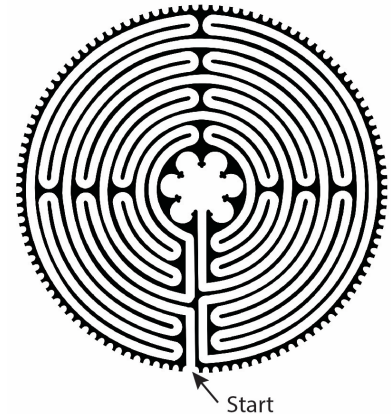
How long is the train?

- A 354 m B 377 m C 404 m
 D 427 m E 454 m



Questions 36 - 40: Score 4 marks for each correct answer and -2 marks for each incorrect answer

36. On the floor of Chartes Cathedral is a large labyrinth. A pilgrim walks along the white path until reaching the centre. At every turn and every corner, the pilgrim stops to say a prayer.



How many prayers does the pilgrim say?

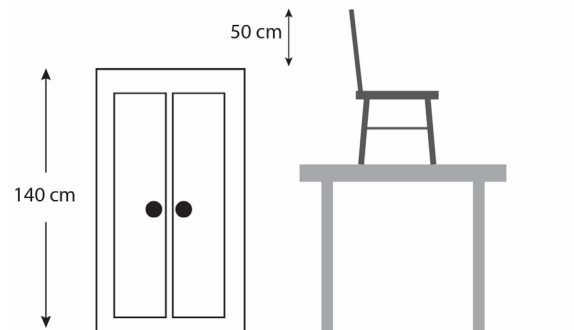
- A 28 B 30 C 32 D 34 E 36

37. The diagram shows the plan for Jamie Oliver's new vegetable garden. Each rectangle is used for a different vegetable. Both the rectangles for carrots and potatoes are twice as long as they are wide. What is the area for beans?

Beans ?	Carrots 72 m ²
Potatoes 128 m ²	Onions 80 m ²

- A 72 m² B 74 m² C 84 m²
D 96 m² E 136 m²

38. My cupboard is 140 cm tall. When I place a chair on top of a table, they are 50 cm taller than the cupboard. The table is 8 cm taller than the chair. How tall is the chair?



- A 71 cm B 79 cm C 81 cm
D 89 cm E 91 cm

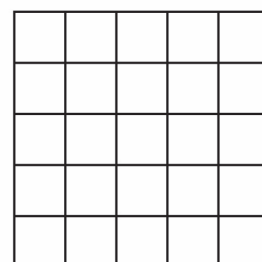
39. In the following expression, each letter stands for a different digit. What is the largest possible total?

$$\text{LOTS} + \text{MORE} + \text{MATH}$$

- A 23796 B 26376 C 28146 D 28576 E 29286

40. How many squares are there in this grid?

- A 25 B 26 C 41
D 45 E 55



Answer Key Lower Primary IVMO 2024

Questions 1 - 25: Score 2 marks for each correct answer, 0 marks for each incorrect answer.

Questions 26 - 35: Score 3 marks for each correct answer, -1 mark for each incorrect answer.

Questions 36 - 40: Score 4 marks for each correct answer, -2 marks for each incorrect answer.

1.	D
2.	B
3.	B
4.	C
5.	E
6.	A
7.	D
8.	E
9.	B
10.	D

11.	A
12.	D
13.	B
14.	C
15.	D
16.	B
17.	A
18.	E
19.	D
20.	B

21.	C
22.	C
23.	B
24.	D
25.	C
26.	A
27.	E
28.	A
29.	C
30.	B

31.	A
32.	Accept either B or C
33.	E
34.	D
35.	C
36.	D
37.	C
38.	E
39.	C
40.	E